



LG

Life's Good

Owner's Manual

IPS LED MONITOR (LED MONITOR)

Please read the safety information carefully
before using the product.

IPS LED Monitor (LED Monitor) Model List

25UM64

25UM65

34UM65

TABLE OF CONTENTS

3 LICENSE

4 ASSEMBLING AND PREPARING

- 4 Product Composition
- 5 Product and Button Description
- 6 - How to Use the Joystick Button
- 7 - Input Connector
- 8 Moving and Lifting the Monitor
- 9 Installing the Monitor
- 9 - Assembling the Stand
- 12 - Detaching the Stand
- 15 - Installing on a Table
- 16 - Adjusting the angle
- 17 - Tidying up Cables
- 18 - Installing the Wall Mount Plate
- 18 - Installing on the Wall
- 20 - Using the Kensington Lock

21 USING THE MONITOR

- 21 Connecting to a PC
- 21 - DVI Connection
- 22 - HDMI Connection
- 22 - DisplayPort Connection
- 23 Connecting AV Devices
- 23 - HDMI Connection
- 23 Connecting Peripherals
- 23 - Connecting Headphones

24 INSTALLING THE LG MONITOR SOFTWARE

26 USER SETTINGS

- 26 Activating the Main Menu
- 26 - Main Menu Features
- 27 User Settings
- 27 - Menu Settings
- 28 - Ratio
- 29 - Function
- 30 - PBP
- 31 - Picture
- 32 - Color
- 33 - Settings
- 34 - Reset
- 35 - Reader

36 TROUBLESHOOTING

38 PRODUCT SPECIFICATION

- 40 Factory Support Mode (Preset Mode, DVI-D/HDMI/DisplayPort PC)
- 40 HDMI Timing (Video)
- 40 Power LED

41 PROPER POSTURE

- 41 Proper Posture for Using the Monitor

LICENSE

Each model has different licenses. Visit www.lg.com for more information on the license.



The terms HDMI and HDMI High-Definition Multimedia Interface, and the HDMI logo are trademarks or registered trademarks of HDMI Licensing LLC in the United States and other countries.

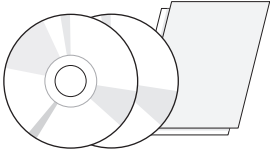
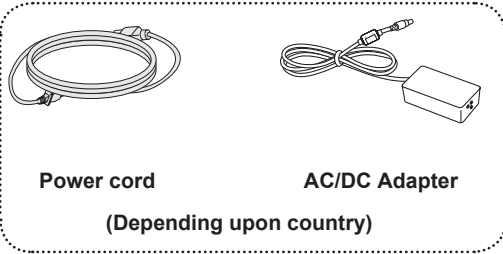
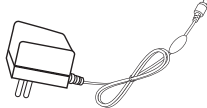
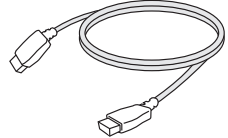




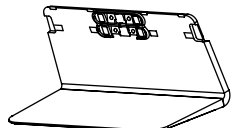
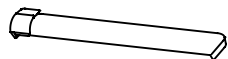

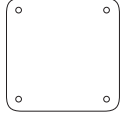


VESA, VESA logo, DisplayPort compliance logo and DisplayPort compliance logo for dual-mode source devices are all registered trademarks of the Video Electronics Standards Association.

ASSEMBLING AND PREPARING

Product Composition

Please check whether all the components are included in the box before using the product. If there are any missing components, contact the retailer where you purchased the product. Note that the product and related components may look different from those shown here.

			
<p>CD (Owner's Manual / Software) / Guides / Cards</p>	<p>Power cord (Depending upon country)</p>	<p>AC/DC Adapter (Depending upon country)</p>	<p>AC/DC Adapter (Depending upon country)</p>
			
<p>HDMI cable</p>			
<p>25UM65 25UM64</p>			
<p>Stand Base</p>	<p>Stand Body</p>	<p>Screw Cover</p>	
<p>Two Screws (M4 x 10)</p>			
<p>34UM65</p>			
<p>Stand Base</p>	<p>Screw Cover</p>	<p>Two Screws (M4 x 10)</p>	
<p>Clear sheet</p>			



CAUTION

- Always use genuine LG components to ensure safety and product performance.
- The product warranty will not cover damage or injury caused by the use of unauthorized components.

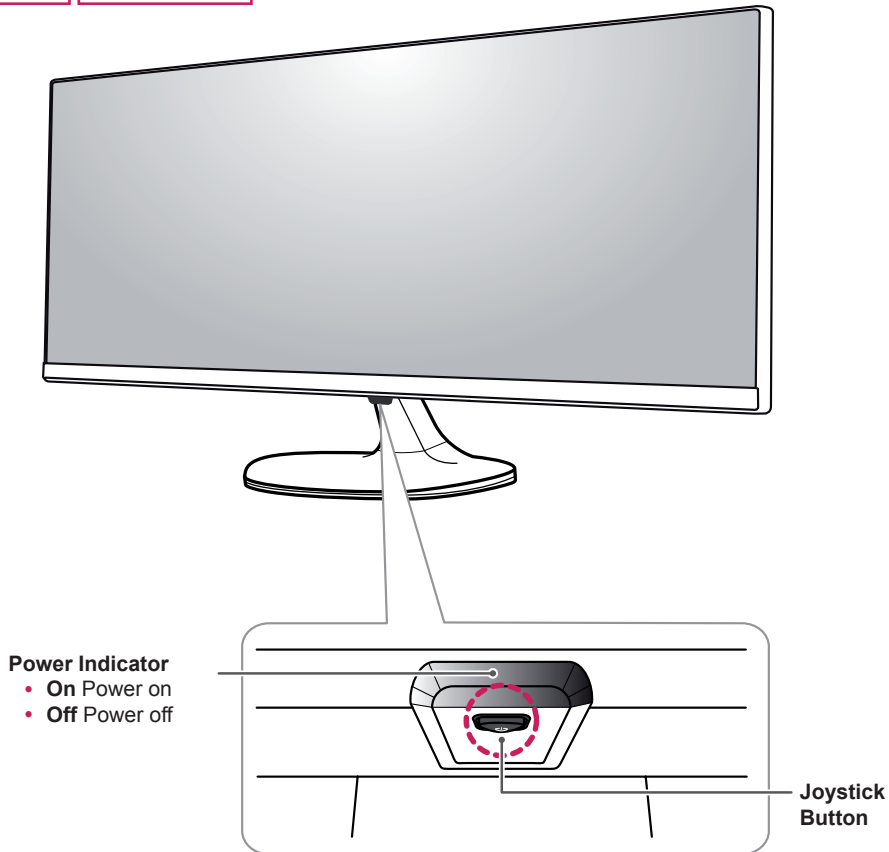
**NOTE**

- The components may look different from those illustrated here.
- Without prior notice, all product information and specifications contained in this manual are subject to change to improve the performance of the product.
- To purchase optional accessories, visit an electronics store or an online shopping site, or contact the retailer from which you purchased the product.
- The power cord provided may differ depending upon the region.

Product and Button Description

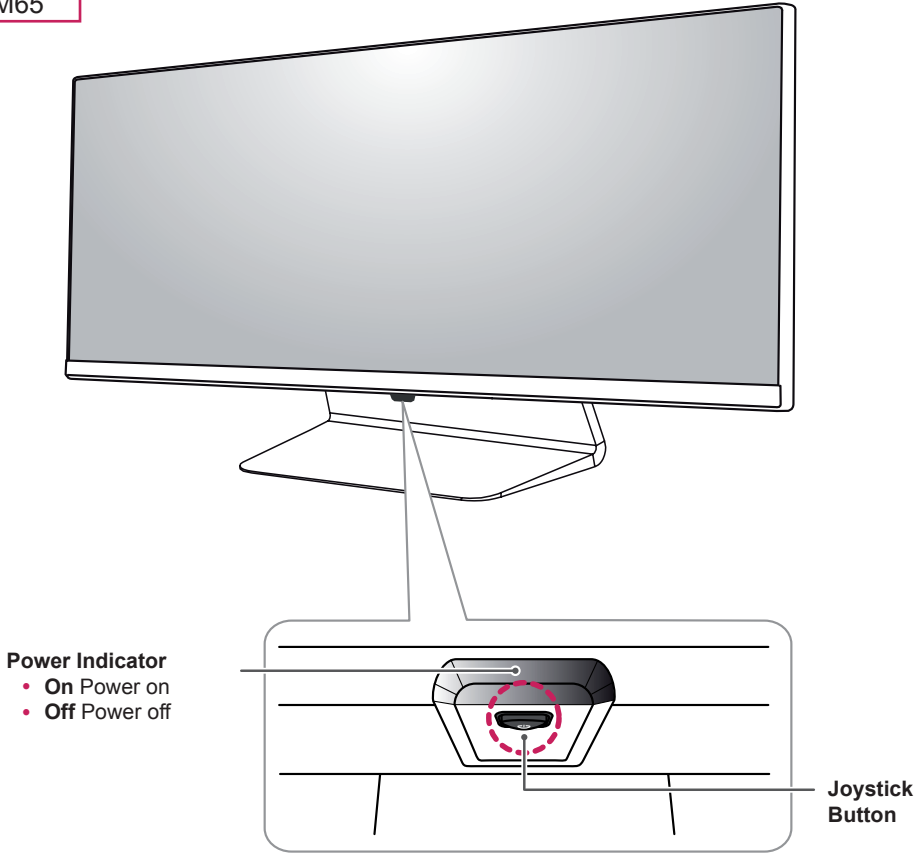
25UM65

25UM64

**NOTE**

- The joystick button is located at the bottom of the monitor.

34UM65



NOTE

- The joystick button is located at the bottom of the monitor.

How to Use the Joystick Button

You can easily control the functions of the monitor by pressing the joystick button or moving it left/right with your finger.

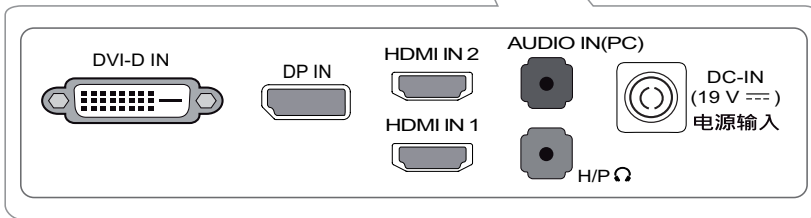
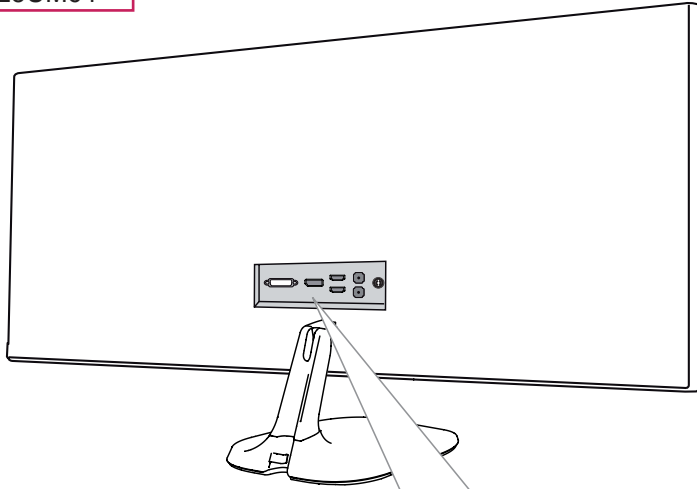
Basic Functions

		Power on	Press the joystick button once with your finger to turn on the monitor.
		Power off	Press and hold the joystick button once with your finger to turn off the monitor.
		Volume Control	You can control the volume by moving the joystick button left/right.

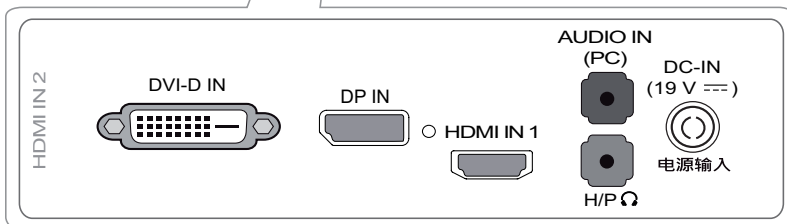
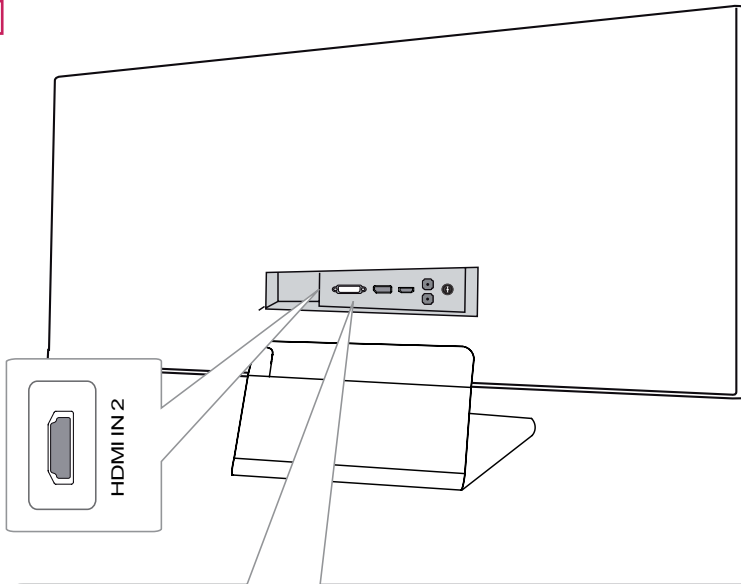
Input Connector

25UM65

25UM64



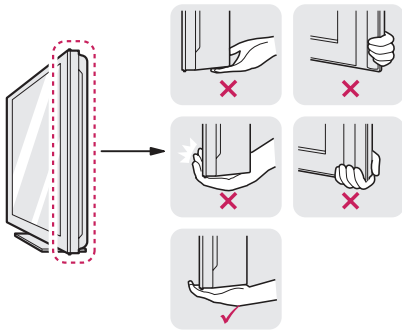
34UM65



Moving and Lifting the Monitor

When moving or lifting the monitor, follow these instructions to prevent the monitor from being scratched or damaged and to ensure safe transportation, regardless of its shape or size.

- Place the monitor in the original box or packing material before attempting to move it.
- Before moving or lifting the monitor, disconnect the power cord and all other cables.
- Hold the bottom and side of the monitor frame firmly. Do not hold the panel itself.



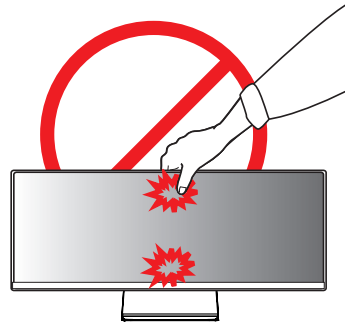
- When holding the monitor, the screen should face toward you to prevent it from being scratched.
- When transporting the monitor, do not expose the monitor to shock or excessive vibration.

- When moving the monitor, keep it upright and never turn the monitor on its side or tilt it sideways.

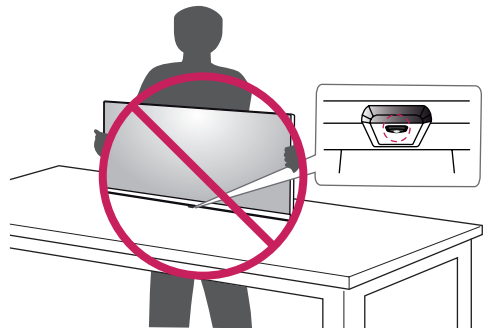


CAUTION

- Avoid touching the monitor screen as much as possible.
 - This may result in damage to the screen or some of the pixels used to create images.



- If you use the monitor panel without the stand base, its joystick button may cause the monitor to become unstable and fall, resulting in damage to the monitor or human injury. In addition, this may cause the joystick button to malfunction.



Installing the Monitor

Assembling the Stand



CAUTION

- Applying excessive force when tightening screws may cause damage to the monitor. Damage caused in this way will not be covered by the product warranty.
- If you use the monitor panel without the stand base, its joystick button may cause the monitor to become unstable and fall, resulting in damage to the monitor or human injury. In addition, this may cause the joystick button to malfunction.

25UM65

25UM64

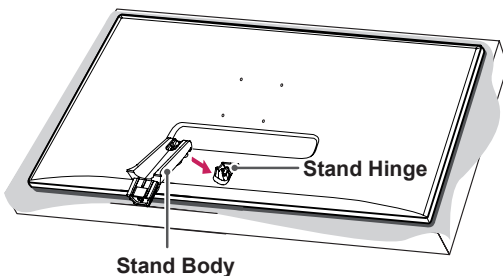
- 1 Place the screen face down.



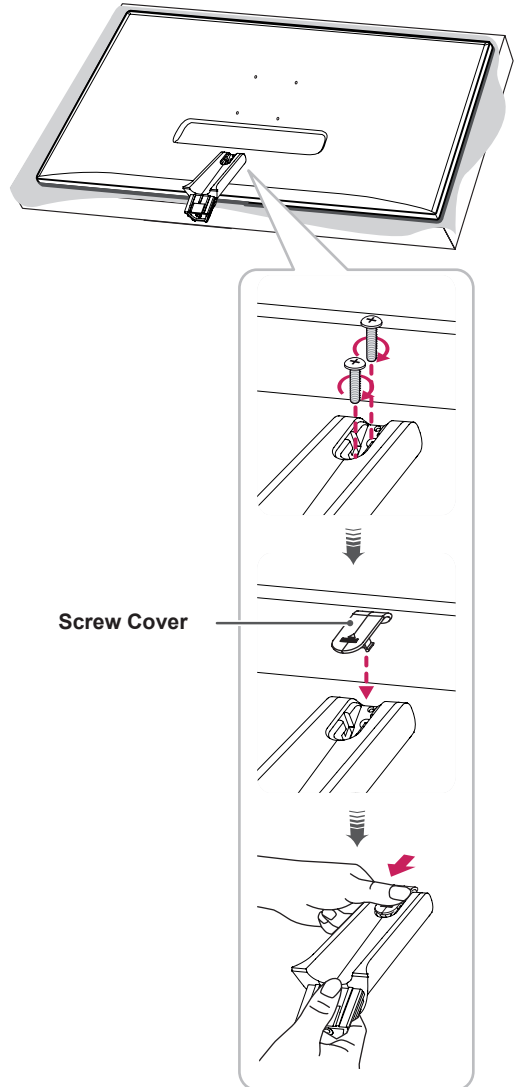
CAUTION

- To protect the screen from scratches, cover the surface with a soft cloth.

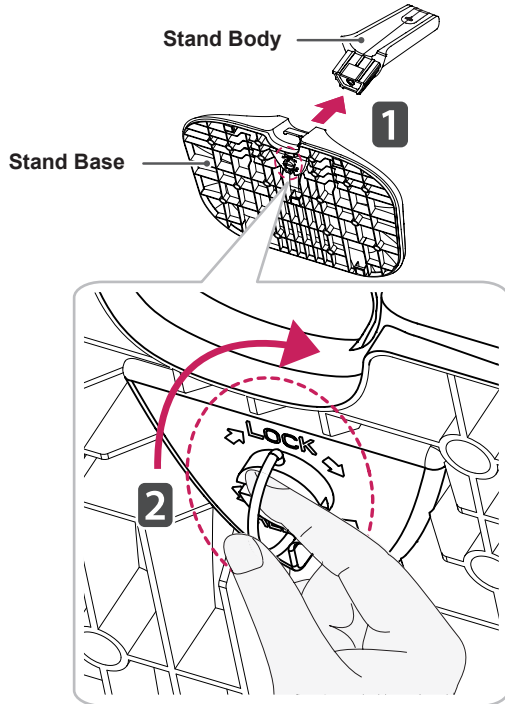
- 2 Check the direction of the stand body (front, back) and then mount the stand body onto the stand hinge.



- 3 Tighten two screws into the back of the stand body and close the screw cover.

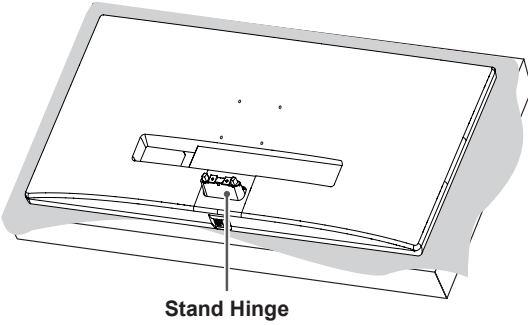


- 4 Fix the stand base to the stand body. Turn the screws on the stand base to the right.



34UM65

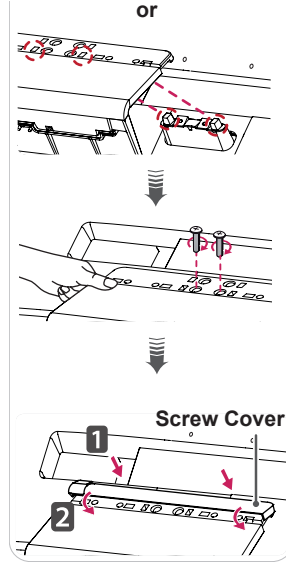
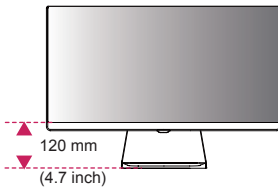
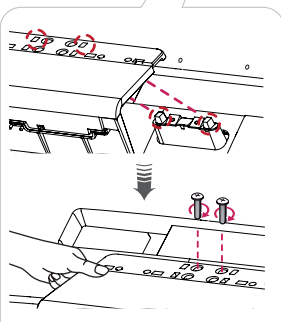
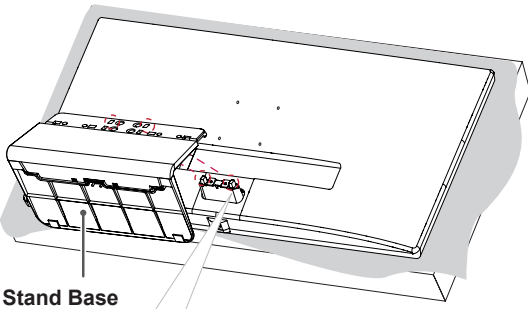
1 Place the screen face down.



CAUTION

- To protect the screen from scratches, cover the surface with a soft cloth.

2 Mount the stand base onto the stand hinge as shown in the illustration. Fix two screws into the back of the stand base and close the screw cover.



CAUTION

- The stand height is adjustable by **20 mm (0.7 inch)**.
- When tightening the screws after mounting the stand base onto the stand hinge, be sure to hold the stand base with your hand. Otherwise, the product may fall, causing personal injury or damage to the product.
- Be careful not to hurt your hand on the edges of the screw covers.

Detaching the Stand



CAUTION

- Illustrations in this document represent typical procedures, so they may look different from the actual product.
- Do not carry the monitor upside down by just holding the base. This may cause the monitor to fall off the stand and could result in personal injury.
- When lifting or moving the monitor, do not touch the monitor screen. The force applied to the monitor screen may cause damage to it.
- If you use the monitor panel without the stand base, its joystick button may cause the monitor to become unstable and fall, resulting in damage to the monitor or human injury. In addition, this may cause the joystick button to malfunction.

25UM65

25UM64

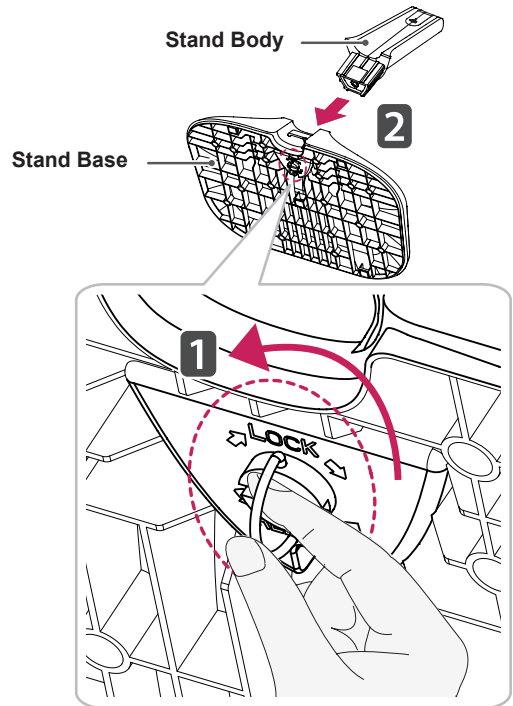
- 1 Place the screen face down.



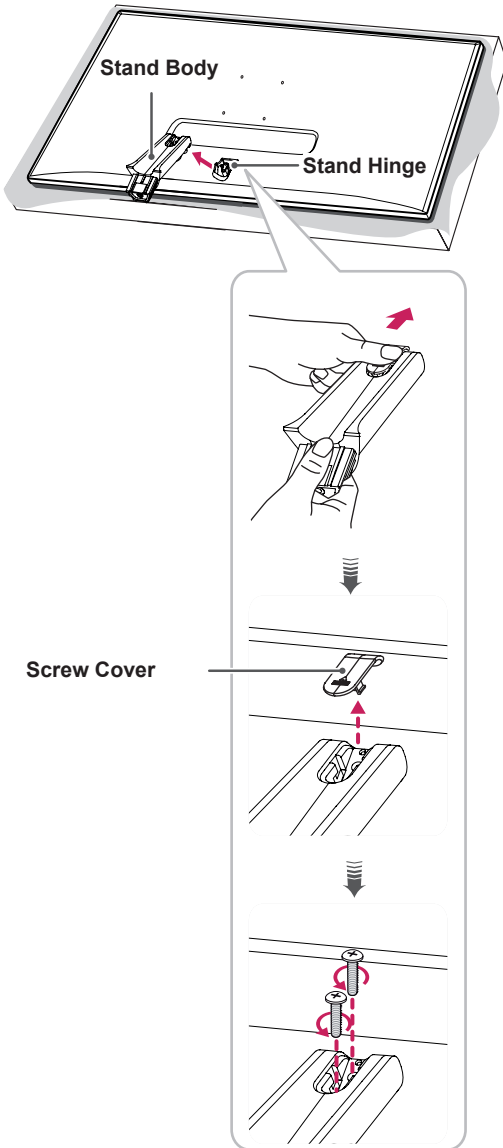
CAUTION

- To protect the screen from scratches, cover the surface with a soft cloth.

- 2 Turn the screws on the stand base to the left to detach the stand base from the stand body.



- 3 Lift up the screw cover to detach the screw cover from the stand body. Remove the screws from the back of the stand body using a screwdriver and detach the stand body from the stand hinge as shown in the illustration.



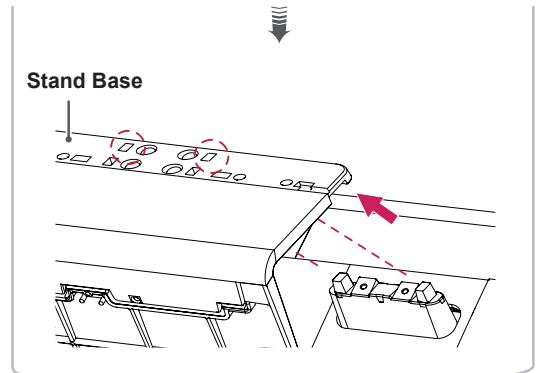
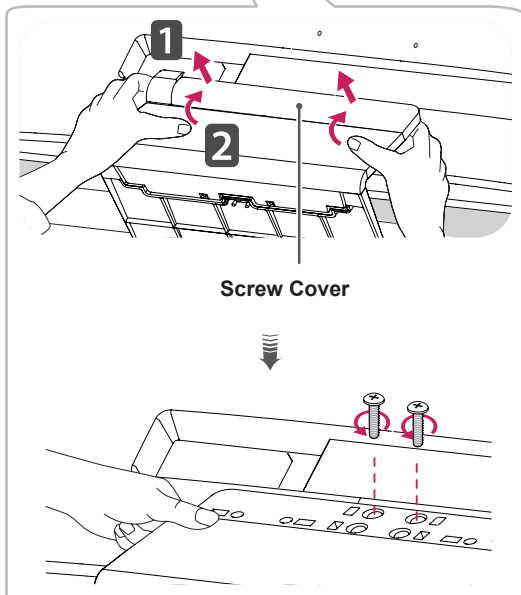
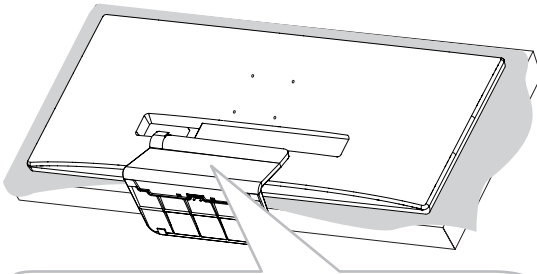
34UM65

- 1 Place the screen face down.

**CAUTION**

- To protect the screen from scratches, cover the surface with a soft cloth.

- 2 Detach the screw cover from the stand base as shown in the illustration and then remove the two screws on the back to detach the stand base from the hinge.

**CAUTION**

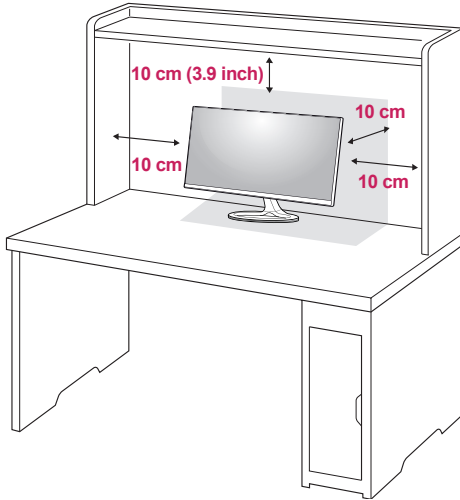
- When removing the screws to detach the stand base from the hinge, be sure to hold the stand base with your hand. Otherwise, the product may fall, causing personal injury or damage to the product.

Installing on a Table

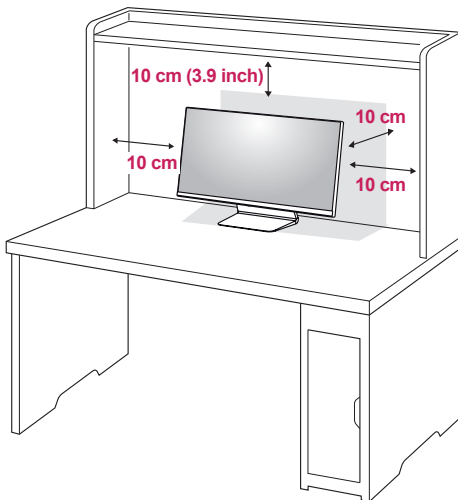
- 1 Lift the monitor and place it on the table in an upright position. Place the monitor at least 10 cm away from the wall to ensure sufficient ventilation.

25UM65

25UM64



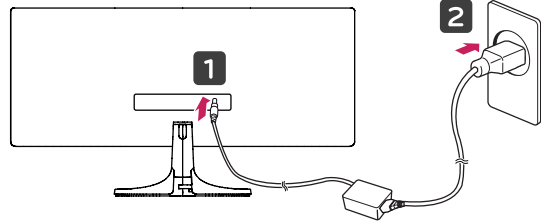
34UM65



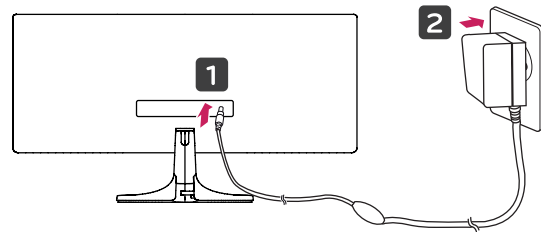
- 2 Connect the power adapter to the monitor and then plug the power cord into the wall outlet.

25UM65

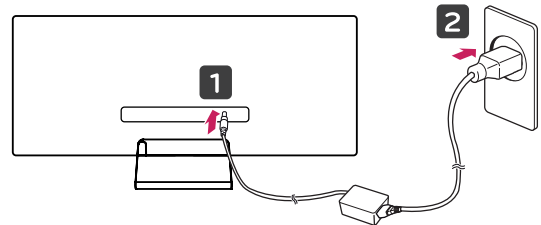
25UM64



or



34UM65



- 3 Press the joystick button on the bottom of the monitor to turn on the monitor.



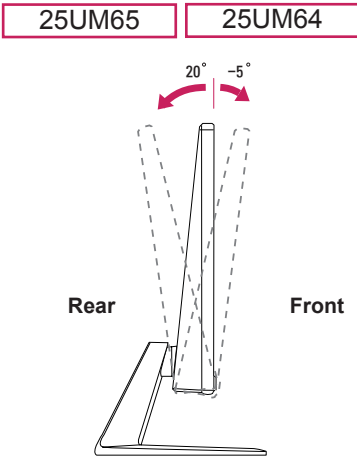
CAUTION

- Unplug the power cord before moving or installing the monitor. There is risk of electric shock.

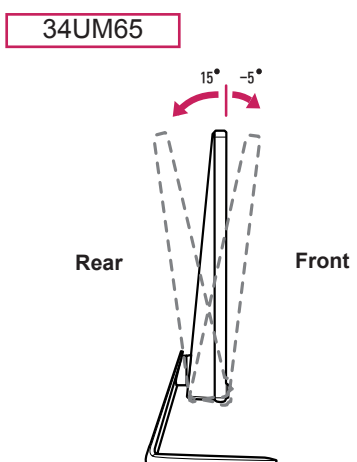
Adjusting the angle

- 1 Place the monitor mounted on the stand base in an upright position.
- 2 Adjust the angle of the screen.

The angle of the screen can be adjusted forward or backward from -5° to 20° for a comfortable viewing experience.

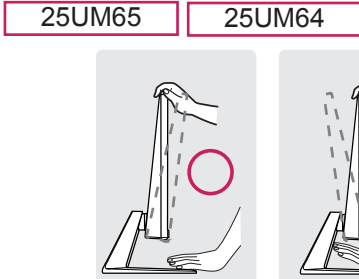


The angle of the screen can be adjusted forward or backward from -5° to 15° for a comfortable viewing experience.

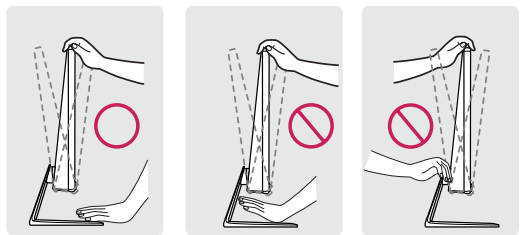


! WARNING

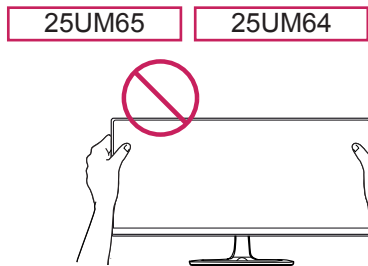
- When you adjust the angle, do not hold the stand as shown on the following illustration. You may injure your fingers.



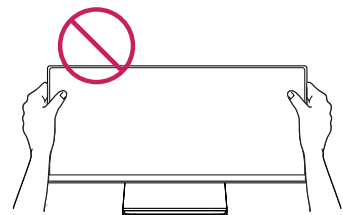
34UM65



- Be careful not to touch or press the screen area when adjusting the angle of the monitor.



34UM65

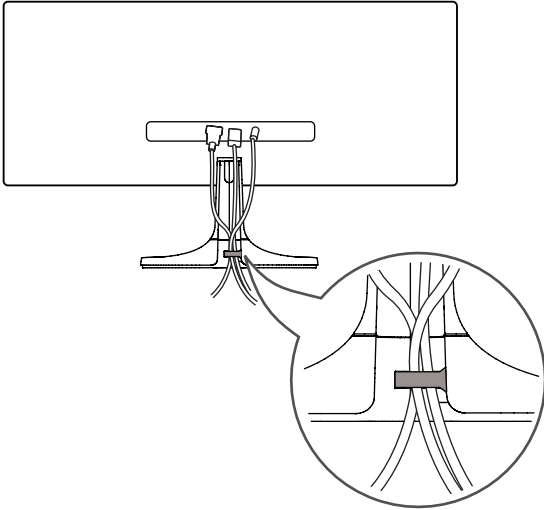


Tidying up Cables

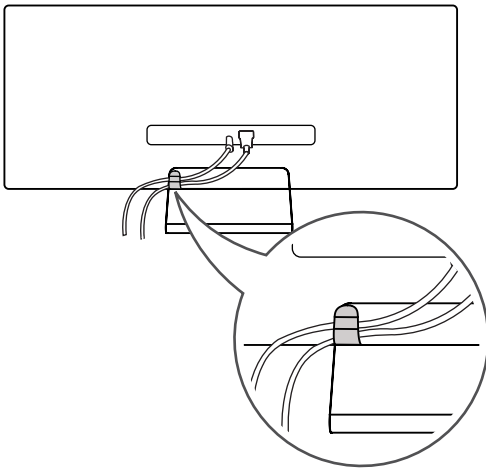
Tidy up cables using the cable holder on the stand base as shown in the illustration.

25UM65

25UM64



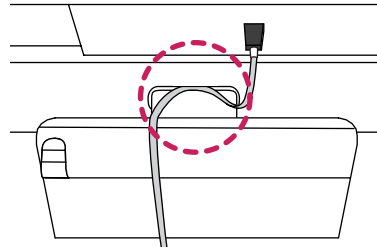
34UM65



! NOTE

- Cables can get caught in the hinge area as shown in the illustration, so be careful when organizing cables.

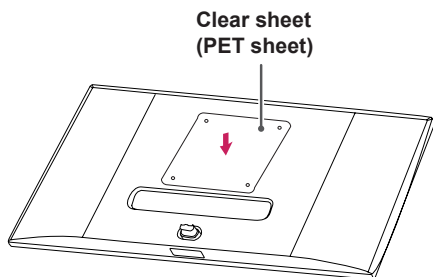
34UM65



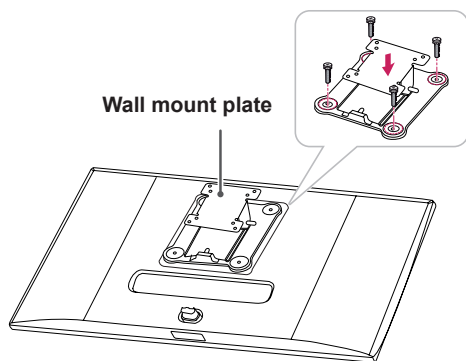
Installing the Wall Mount Plate

This monitor meets the specifications for the wall mount plate or other compatible devices.

- 1 Place the screen face down. To protect the screen from scratches, cover the surface with a soft cloth.
- 2 Attach the clear sheet to the back of the monitor and align it with the screw holes.
(Only 34UM65)



- 3 Place the wall mount plate onto the monitor and align it with the screw holes.
- 4 Tighten the four screws to fix the plate to the monitor using a screwdriver.

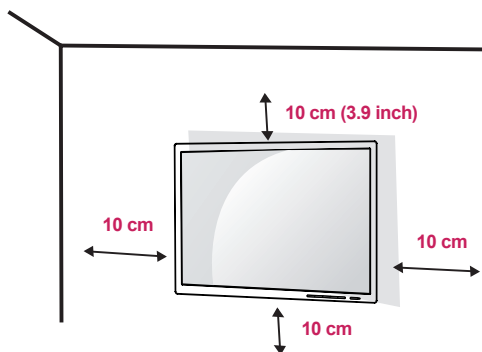


NOTE

- The wall mount plate is sold separately.
- For more information on installation, refer to the wall mount plate's installation guide.
- Be careful not to apply too much force while mounting the wall mount plate as it may cause damage to the screen

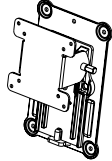
Installing on the Wall

Install the monitor at least 10 cm (3.9 inch) away from the wall and leave about 10 cm (3.9 inch) of space at each side of the monitor to ensure sufficient ventilation. Detailed installation instructions can be obtained from your local retail store. Alternatively, please refer to the manual for how to install and set up a tilting wall mounting bracket.

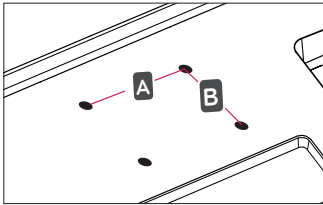


To install the monitor to a wall, attach a wall mounting bracket (optional) to the back of the monitor. Make sure that the wall mounting bracket is securely fixed to the monitor and to the wall.

- 1 Use the screws and wall mounting bracket that conform to VESA standards.
- 2 If you use screws longer than the standard length, it may damage the inside of the product.
- 3 A non-VESA standard screw may damage the product and cause the monitor to fall. LG Electronics is not liable for any accidents relating to the use of non-standard screws.
- 4 VESA compatible only with respect to screw mounting interface dimensions and mounting screw specifications.
- 5 Use the wall mount plate and fixing screws that conform to VESA standards as specified below.
 - 784.8 mm (30.9 inch) or less
 - * Thickness of the wall mount plate: 2.6 mm (0.1 inch)
 - * Fixing screw: Diameter 4.0 mm x Pitch 0.7 mm x Length 10 mm (Diameter 0.15 inch x Pitch 0.02 inch x Length 0.39 inch)
 - 787.4 mm (31.0 inch) or more
 - * Use the wall mount plate and screws that conform to VESA standards.

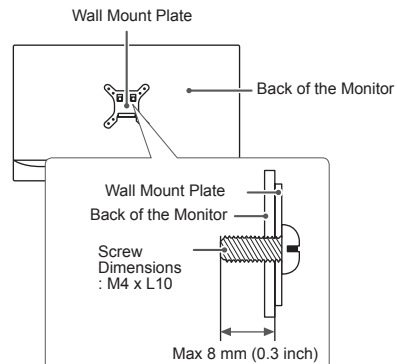
Model	25UM65 25UM64	34UM65
VESA (A x B)	75 x 75	100 x 100
Stand Screw	M4	
Required Screws	4	
Wall Mount Plate (Optional)	RW120 	

- VESA (A x B)



! CAUTION

- Unplug the power cord before moving or installing the monitor to avoid electric shock.
- Installing the monitor on the ceiling or on a slanted wall may result in the monitor falling off, which could lead to injury. Use an authorized LG wall mount and contact the local dealer or qualified personnel.
- Applying excessive force when tightening screws may cause damage to the monitor. Damage caused in this way will not be covered by the product warranty.
- Use the wall mounting bracket and screws that conform to VESA standards. Damage caused by the use or misuse of inappropriate components will not be covered by the product warranty.
- When measured from the back of the monitor, the length of each installed screw must be 8 mm or less.



! NOTE

- Use the screws specified by VESA standards.
- The wall mount kit includes the installation guide and all necessary parts.
- The wall mounting bracket is optional. You can obtain optional accessories from your local dealer.
- The length of the screw may differ for each wall mounting bracket. Be sure to use the proper length.
- For more information, please refer to the user manual for the wall mounting bracket.

Using the Kensington Lock

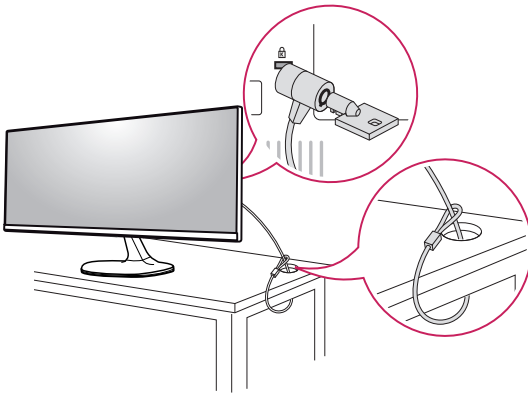
The connector for the Kensington security system is located at the back of the monitor.

For more information on installation and usage, refer to the Kensington lock owner's manual or visit the website at <http://www.kensington.com>.

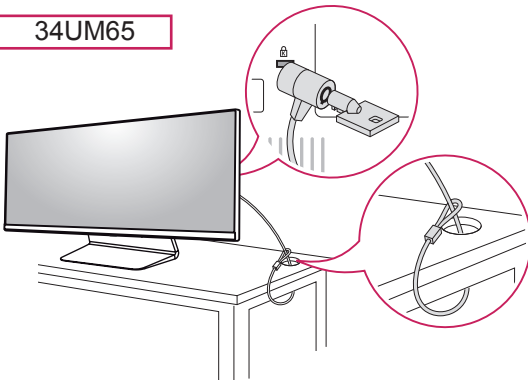
Connect the monitor to a table using the Kensington security system cable.

25UM65

25UM64



34UM65

**NOTE**

- The Kensington security system is optional. You can obtain optional accessories from most electronics stores.

USING THE MONITOR

- The following instructions are based on the 25UM65 model. Illustrations in this manual may differ from the actual product.

Press the joystick button, go to Menu → Easy control → Input, and then select the input option.



CAUTION

- Do not press the screen for a prolonged time. This may cause image distortion.
- Do not display a still image on the screen for a prolonged time. This may cause image retention. Use a screensaver if possible.



NOTE

- When connecting the power cord to the outlet, use a grounded (3-hole) power strip or a grounded power outlet.
- The monitor may flicker when turned on in an area where the temperature is low. This is normal.
- Sometimes red, green, or blue spots may appear on the screen. This is normal.

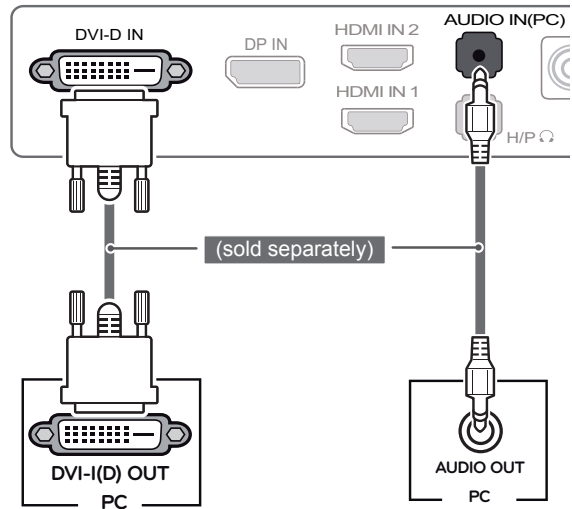
Connecting to a PC

- This monitor supports the *Plug and Play feature.
- * Plug and Play: A feature that allows you to add a device to your computer without having to reconfigure anything or install any manual drivers.

DVI Connection

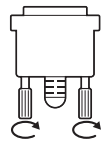
Transmits digital video signals to the monitor. Connect the monitor using the DVI cable as illustrated below.

To hear sound in DVI input mode, connect the PC's AUDIO OUT port to the monitor's AUDIO IN (PC) port using the audio cable.



CAUTION

- Connect the input signal cable and turn it in the direction of the arrow as shown in the illustration. To prevent disconnection, secure the cable tightly.

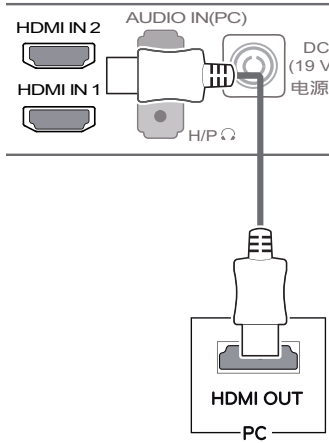


NOTE

- Using a DVI to HDMI cable may cause compatibility issues.

HDMI Connection

Transmits digital video and audio signals from your PC to the monitor. Connect your PC to the monitor using the HDMI cable as shown in the illustration below.

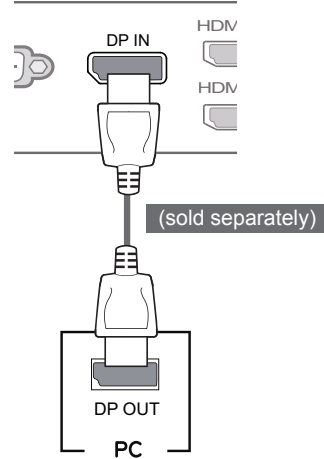


CAUTION

- Connecting your PC to the monitor using the HDMI cable may cause device compatibility issues.
- Using a DVI to HDMI cable may cause compatibility issues.

DisplayPort Connection

Transmits digital video and audio signals from your PC to the monitor. Connect the monitor to your PC using the display port cable as shown in the illustration below:



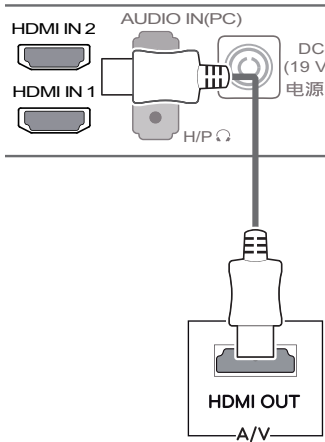
NOTE

- There may be no video or audio output depending on the DP (DisplayPort) version of the PC.

Connecting AV Devices

HDMI Connection

HDMI transmits digital video and audio signals from your AV device to the monitor. Connect your AV device to the monitor using the HDMI cable as shown in the illustration below.



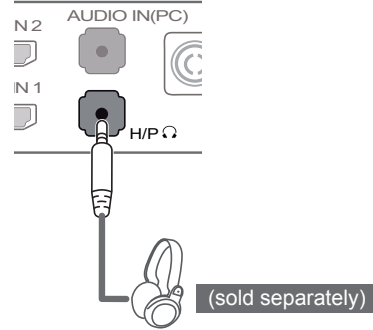
NOTE

- Using a DVI to HDMI cable may cause compatibility issues.

Connecting Peripherals

Connecting Headphones

Connect peripherals to the monitor via the headphones port. Connect as illustrated.

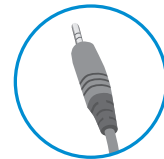


NOTE

- Peripheral devices are sold separately.
- If you use Angled earphones, it may cause a problem with connecting another external device to the monitor. Therefore, it is recommended to use Straight earphones.



Angled



Straight

- Depending on the audio settings of the PC and external device, headphones and speaker functions may be limited.

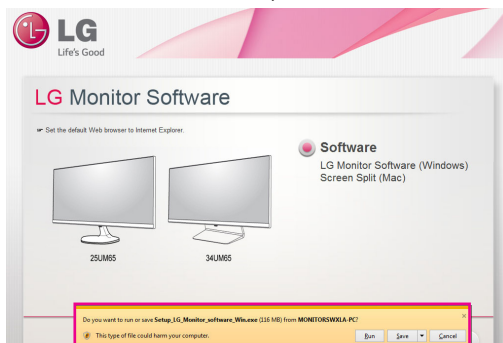
INSTALLING THE LG MONITOR SOFTWARE

Insert the Software CD included in the product packaging into your PC's CD drive and install the LG Monitor Software.

- 1 Set up Internet Explorer as the default web browser.
- 3 Follow the instructions to proceed with the installation.

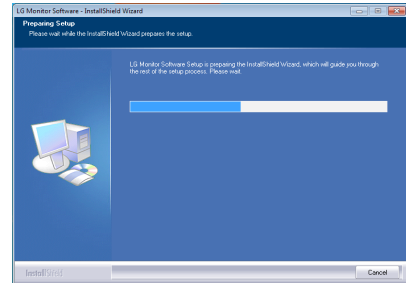


- 2 Click **LG Monitor Software** on the CD's main screen. When the file download window appears, click **Run**. (Although the screen below may differ depending on your operating system or Internet Explorer version, the installation methods are the same.)

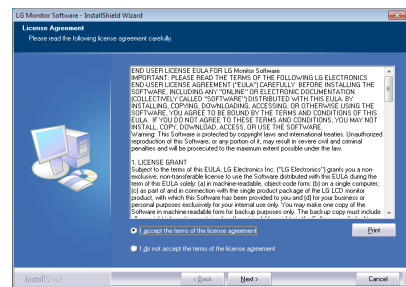


CAUTION

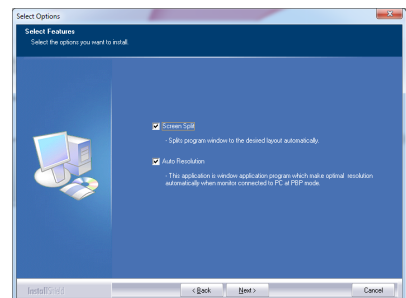
- Windows 7 must be updated to Service Pack 1 or higher.



- 4 Check the "I accept the terms of the agreement" checkbox on the License Agreement screen and then click the **Next** button.



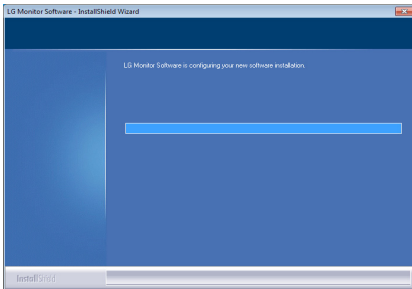
- 5 Select the program that you want to install.



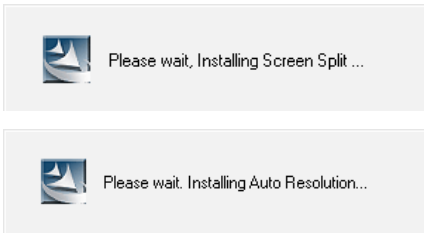
NOTE

- Screen Split: This program automatically splits the program window as desired.
- Auto Resolution: This is a program that automatically changes the resolution to the optimal settings when connecting the monitor to the PC in PBP mode.
 - ※ This program is not supported in Clone Mode.
 - ※ Extended Mode is not supported when using a single display.

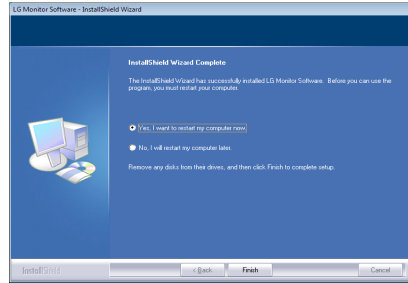
6 The LG Monitor Software starts the installation as shown below:




7 The program you selected on the FUNCTION page will install automatically.



8 When the installation is complete, restart the system.

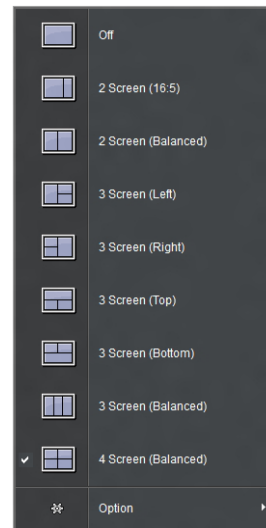


NOTE

- When you run Screen Split, the Screen Split icon  appears in the system tray at the bottom right of the PC screen.



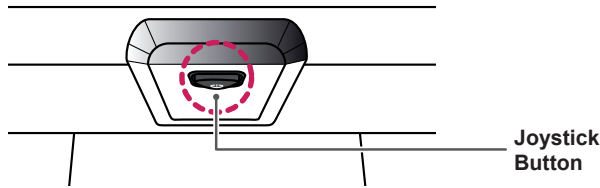
- Right-click the Screen Split icon and select the desired layout.



USER SETTINGS

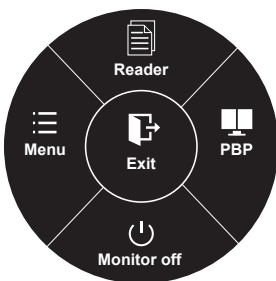
Activating the Main Menu

- 1 Press the joystick button on the bottom of the monitor.
- 2 Move the joystick up/down (▲/▼) and left/right(◀/▶) to set the options.
- 3 Press the joystick button once more to exit the main menu.



Button	Menu Status	Description
	Main menu disabled	Enables the main menu.
	Main menu enabled	Exits the main menu (Holding down the button to turn off the monitor: You can turn off the monitor this way at any time, including when the OSD is on)
	◀ Main menu disabled	Adjusts the monitor volume level.
	◀ Main menu enabled	Enters the menu features.
	▶ Main menu disabled	Adjusts the monitor volume level.
	▶ Main menu enabled	Enters the PBP feature.
	▲ Main menu disabled	Enables the main menu.
	▲ Main menu enabled	Enters the reader feature.
	▼ Main menu disabled	Enables the main menu.
	▼ Main menu enabled	Turns off the monitor.

Main Menu Features



⓪ Long press: Monitor off

Main Menu	Description
Menu	Configures the screen settings.
Reader	Adjusts color for comfortable text file reading.
PBP	Displays the screens of two input modes on one monitor.
Monitor off	Turns off the monitor.
Exit	Exits the main menu.


User Settings

Menu Settings

- 1 To view the **OSD menu**, press the **joystick button** at the bottom of the monitor and then enter the **Menu**.
- 2 Configure the options by moving the joystick up/down/left/right.
- 3 To return to the upper menu or set other menu items, move the joystick to ◀ or pressing (⊙ / OK) it.
- 4 If you want to exit the OSD menu, move the joystick to ◀ until you exit.
 - When you enter the menu, instructions on how to use the button will appear in the bottom right corner of the screen.

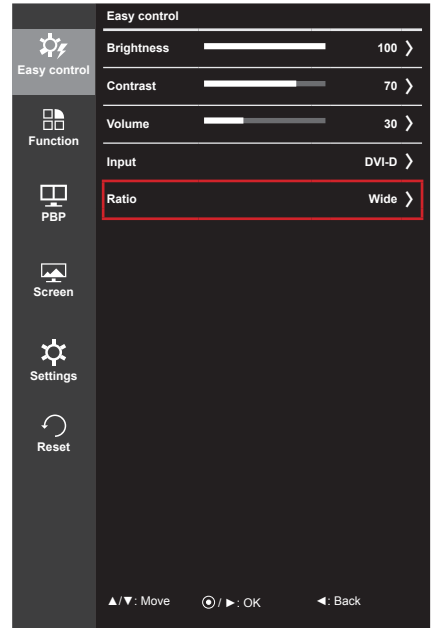


Each option is described below.

Menu		Description
Easy control	Brightness	Adjusts the color contrast and brightness of the screen.
	Contrast	
	Volume	Adjusts the volume level.
	<div style="border: 1px solid black; padding: 5px;"> <p> NOTE</p> <ul style="list-style-type: none"> • You can adjust Mute/ Unmute by moving the joystick button to ▼ in the Volume menu. </div>	
	Input	Selects the input mode.
Ratio	Adjusts the aspect ratio of the screen.	
Function	Adjusts Super Energy Saving and Picture Modes.	
PBP	PBP	Displays the screens of two input modes on one monitor.
Screen	Picture	Adjusts the Sharpness, Black level and Response Time of the screen.
	Color	Adjusts Gamma, Color Temperature, Red, Green, Blue and Six Color.
Settings	Adjusts Main Audio, Language, Power LED and OSD Lock.	
Reset	Restores the default settings.	
◀	Exit	Exits the OSD menu.

Ratio

- 1 To view the **OSD menu**, press the **joystick button** at the bottom of the monitor and then enter the **Menu**.
- 2 Go to **Easy control > Ratio** by moving the joystick.
- 3 Configure the options following the instructions that appear in the bottom right corner.
- 4 To return to the upper menu or set other menu items, move the joystick to ◀ or pressing (● / OK) it.
- 5 If you want to exit the OSD menu, move the joystick to ◀ until you exit.



Each option is described below.

Menu > Easy control > Ratio	Description
Wide	Displays the video in widescreen, regardless of the video signal input.
Original	Displays video according to the aspect ratio of the video signal input.
Cinema 1	Enlarges the screen with an aspect ratio of 21:9. (at 1080p)
Cinema 2	Enlarges the screen with an aspect ratio of 21:9, including the black box at the bottom for subtitles. (at 1080p)
1:1	The aspect ratio is not adjusted from the original.

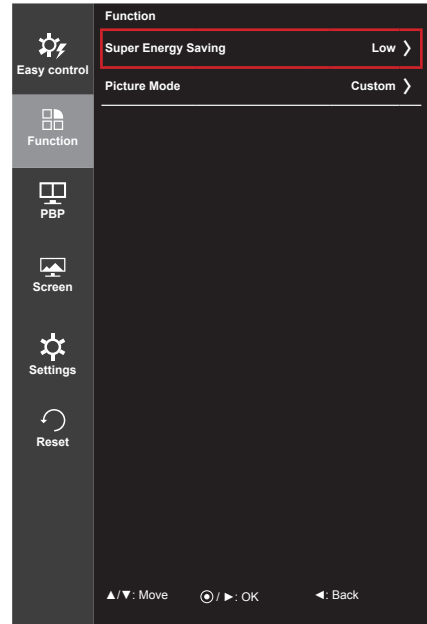


NOTE

- The display may look the same for Wide, Original, and 1:1 options at the recommended resolution (2560 x 1080).
- The ratio is disabled in the interlaced signal.

Function

- 1 To view the **OSD menu**, press the **joystick button** at the bottom of the monitor and then enter the **Menu**.
- 2 Go to **Function** by moving the joystick.
- 3 Configure the options following the instructions that appear in the bottom right corner.
- 4 To return to the upper menu or set other menu items, move the joystick to ◀ or pressing (⊙ / OK) it.
- 5 If you want to exit the OSD menu, move the joystick to ◀ until you exit.

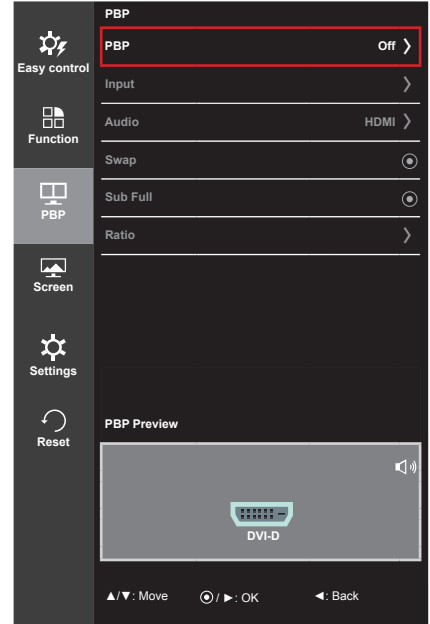


Each option is described below.

Menu > Function	Description	
Super Energy Saving	High	Saves energy using the high-efficiency Super Energy Saving feature.
	Low	Saves energy using the low-efficiency Super Energy Saving feature.
	Off	Disables the Super Energy Saving feature.
Picture Mode	Custom	Allows the user to adjust settings. You can adjust the color mode of the main menu.
	Photo	Optimizes the screen for photos.
	Cinema	Optimizes the screen for videos.
	Game	Optimizes the screen for games.

PBP

- 1 To view the **OSD menu**, press the **joystick button** at the bottom of the monitor and then enter the **Menu**.
- 2 Go to **PBP** by moving the joystick.
- 3 Configure the options following the instructions that appear in the bottom right corner.
- 4 To return to the upper menu or set other menu items, move the joystick to ◀ or pressing (⊙ / OK) it.
- 5 If you want to exit the OSD menu, move the joystick to ◀ until you exit.



Each option is described below.

Menu > PBP	Description					
PBP	Displays the screens of two input modes on one monitor.					
	PBP Connection		Sub screen (Right)			
	Main screen (Left)	DVI	-	○	X	○
		HDMI 1	○	-	○	○
		HDMI 2	X	○	-	○
DisplayPort		○	○	○	-	
Input	Main	Selects the video signal input of the main screen.				
	Sub	Selects the video signal input of the sub screen.				
Audio	Changes the audio output in PBP mode.					
Swap	Toggles between the main screen and sub screen in PBP mode.					
Sub Full	Converts the sub screen in PBP mode to wide screen.					
Ratio	Adjusts the aspect ratio of the main screen or sub screen.					
	Main	Wide	Displays the video to fit the PBP screen, regardless of the video signal input.			
		Original	Displays the video in the aspect ratio of the video signal input on the PBP screen.			
	Sub	Wide	Displays the video to fit the PBP screen, regardless of the video signal input.			
Original		Displays the video in the aspect ratio of the video signal input on the PBP screen.				

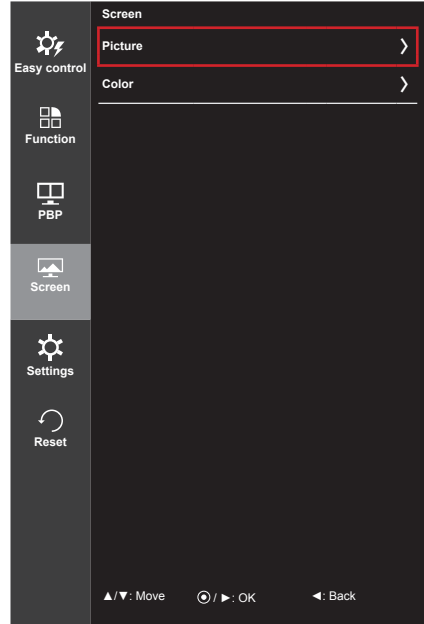


NOTE

- When the PBP mode is Off, Input, Audio, Swap, Sub Full, and Ratio menus become disabled. The Main/Sub options for Ratio become disabled if there is no signal.

Picture

- 1 To view the **OSD menu**, press the **joystick button** at the bottom of the monitor and then enter the **Menu**.
- 2 Go to **Screen > Picture** by moving the joystick.
- 3 Configure the options following the instructions that appear in the bottom right corner.
- 4 To return to the upper menu or set other menu items, move the joystick to ◀ or pressing (⊙ / OK) it.
- 5 If you want to exit the OSD menu, move the joystick to ◀ until you exit.

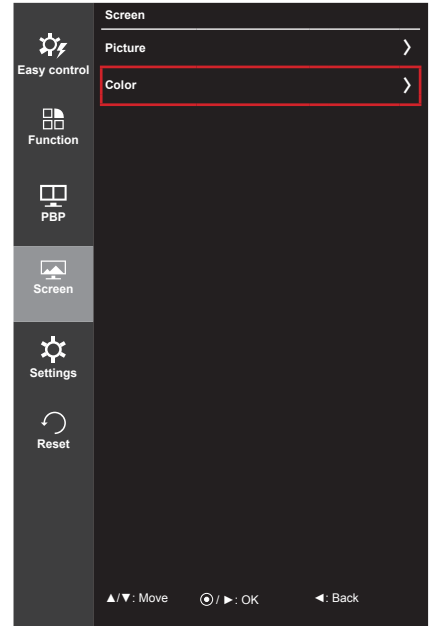


Each option is described below.

Menu > Screen > Picture	Description	
Sharpness	Adjusts the sharpness of the screen.	
Black Level	Sets the offset level (for HDMI only). • Offset: as a reference for a video signal, this is the darkest color the monitor can display.	
	High	The picture of the screen gets brighter.
	Low	The picture of the screen gets darker.
Response Time	Sets a response time for displayed pictures based on the speed of the screen. For a normal environment, it is recommended that you use Middle. For a fast-moving picture, it is recommended that you use High. Setting to High may cause image sticking.	
	High	Sets the response time to High.
	Middle	Sets the response time to Middle.
	Low	Sets the response time to Low.
	Off	Does not use the response time improvement feature.

Color

- 1 To view the **OSD menu**, press the **joystick button** at the bottom of the monitor and then enter the **Menu**.
- 2 Go to **Screen > Color** by moving the joystick.
- 3 Configure the options following the instructions that appear in the bottom right corner.
- 4 To return to the upper menu or set other menu items, move the joystick to ◀ or pressing (⊙ / OK) it.
- 5 If you want to exit the OSD menu, move the joystick to ◀ until you exit.

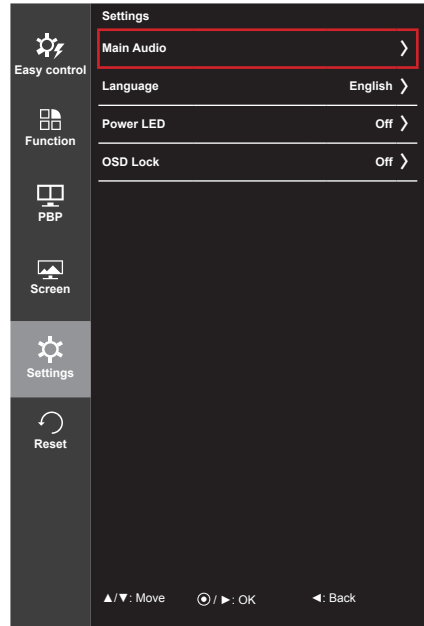


Each option is described below.

Menu > Screen > Color	Description	
Gamma	Custom gamma settings: When using the gamma 0, gamma 1 and gamma 2 monitor settings, higher gamma settings mean a brighter image is displayed and vice versa.	
Color Temp.	Custom	Selects the factory default picture color.
	Warm	Sets the screen color to a reddish tone.
	Medium	Sets the screen color to between a red and blue tone.
	Cool	Sets the screen color to a bluish tone.
Red	You can customize the picture color using Red, Green and Blue colors.	
Green		
Blue		
Six Colors	Meets the user requirements for colors by adjusting the tone and saturation of the six colors (red, green, blue, cyan, magenta and yellow) and then saving the settings.	
	Hue	Adjusts the tone of the screen colors.
	Saturation	Adjusts the saturation of the screen colors. The lower the value, the less saturated and brighter the colors become. The higher the value, the more saturated and darker the colors become.
Reset	Returns color to the default settings.	

Settings

- 1 To view the **OSD menu**, press the **joystick button** at the bottom of the monitor and then enter the **Menu**.
- 2 Go to **Settings** by moving the joystick.
- 3 Configure the options following the instructions that appear in the bottom right corner.
- 4 To return to the upper menu or set other menu items, move the joystick to ◀ or pressing (⊙ / OK) it.
- 5 If you want to exit the OSD menu, move the joystick to ◀ until you exit.

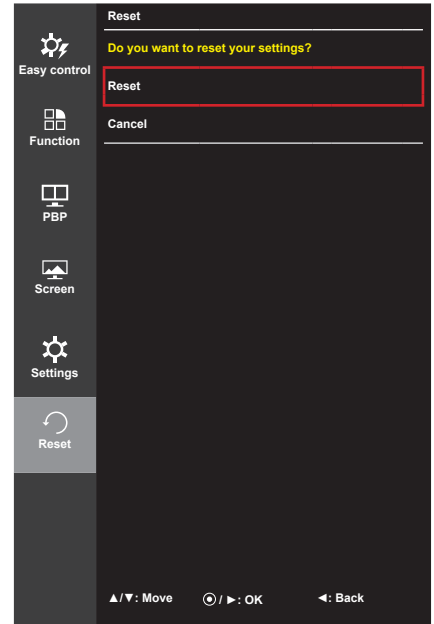


Each option is described below.

Menu > Settings	Description
Main Audio	Outputs audio from digital input ports (HDMI, DisplayPort and Audio-in) to the monitor speakers.
Language	Sets the menu screen to the desired language.
Power LED	Turns the power indicator on the front of the monitor on or off.
	On The power LED turns on automatically.
	Off The power LED turns off.
OSD Lock	Prevents incorrect key input.
	On Disables key input
	Off Enables key input
	<div style="border: 1px solid black; padding: 5px;"> <p>NOTE</p> <ul style="list-style-type: none"> All features are disabled except Brightness, Contrast, Volume, Input, OSD Lock in Settings, and the Exit button. </div>

Reset

- 1 To view the **OSD menu**, press the **joystick button** at the bottom of the monitor and then enter the **Menu**.
- 2 Go to **Reset** by moving the joystick.
- 3 Configure the options following the instructions that appear in the bottom right corner.
- 4 To return to the upper menu or set other menu items, move the joystick to ◀ or pressing (● / OK) it.
- 5 If you want to exit the OSD menu, move the joystick to ◀ until you exit.

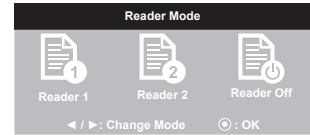


Each option is described below.

Menu > Reset	Description
Do you want to reset your settings?	
Reset	Restores the default settings.
Cancel	Cancel the reset.

Reader

- 1 Press the joystick button on the bottom of the monitor.
- 2 Go to **Reader** by moving the joystick button to ▲.
- 3 Configure the options following the instructions that appear in the bottom right corner.



Each option is described below.

Reader Mode	Description
Reader 1	Optimizes the screen for browsing newspapers. You can brighten the screen in the OSD menu.
Reader 2	Optimizes the screen for looking at cartoons. You can brighten the screen in the OSD menu.
Reader Off	Reader Mode is off.

TROUBLESHOOTING

Nothing is displayed on the screen.	
Is the monitor's power cord plugged in?	<ul style="list-style-type: none"> • Check if the power cord is correctly plugged into the power outlet.
Is the power indicator on?	<ul style="list-style-type: none"> • Check the power cable connection and press the power button.
Is the power on and the power indicator displaying white?	<ul style="list-style-type: none"> • Check that the connected input is enabled (Menu - Input).
Is the power indicator blinking?	<ul style="list-style-type: none"> • If the monitor is in power-saving mode, move the mouse, or press any key on the keyboard, to switch the display on. • Check if the computer is turned on.
Is the OUT OF RANGE message being displayed?	<ul style="list-style-type: none"> • This occurs when signals transferred from the PC (video card) are out of the horizontal or vertical frequency range of the monitor. Please see the Product Specification section of this manual to set the appropriate frequency.
Is the No Signal message being displayed?	<ul style="list-style-type: none"> • This is displayed when the signal cable between the PC and the monitor is missing or disconnected. Check the cable and reconnect it.

The OSD Locked message is being displayed.	
Are some functions not available when you press the Menu button?	<ul style="list-style-type: none"> • The OSD is locked. Go to Menu > Settings and set OSD Lock to Off.

The screen retains an image.	
Does image sticking occur even when the monitor is turned off?	<ul style="list-style-type: none"> • Displaying a still image for a prolonged time may cause damage to the screen, resulting in the retention of the image. • To extend the lifetime of the monitor, use a screensaver.

Screen display is unstable and shaky / Images displayed on the monitor leave shadow trails.	
Did you select the appropriate resolution?	<ul style="list-style-type: none"> • If the selected resolution is HDMI 1080i 60/50 Hz (interlaced), the screen may be flickering. Change the resolution to 1080P or the recommended resolution.



NOTE

- **Vertical Frequency** In order to display an image, the screen must be refreshed dozens of times per second, like a fluorescent lamp. The number of times the screen is refreshed per second is called vertical frequency, or refresh rate, and is represented by Hz.
- **Horizontal Frequency** The time it takes to display one horizontal line is called the horizontal cycle. If 1 is divided by the horizontal interval, the result is the number of horizontal lines displayed per second. This is called horizontal frequency and is represented by Hz.

**NOTE**

- Check if the video card's resolution or frequency is within the range allowed by the monitor and set it to the recommended (optimal) resolution in **Control Panel > Display > Settings**.
- Not setting the video card to the recommended (optimal) resolution may result in blurred text, a dimmed screen, a truncated display area or misalignment of the display.
- The setting methods may be different depending on the computer or operating system, and some resolutions may not be available depending on the performance of the video card. If this is the case, contact the manufacturer of the computer or video card for assistance.
- Some video cards may not support 2560 x 1080 resolution. If the resolution cannot be displayed, contact the manufacturer of your video card.

The display color is abnormal.

Does the display appear discolored (16 colors)?	<ul style="list-style-type: none"> • Set the color to 24 bit (true color) or higher. In Windows, go to Control Panel > Display > Settings > Color Quality.
Does the display color appear unstable or monochrome?	<ul style="list-style-type: none"> • Check if the signal cable is connected properly. Reconnect the cable or reinsert the PC's video card.
Are there spots on the screen?	<ul style="list-style-type: none"> • When using the monitor, pixilated spots (red, green, blue, white or black) may appear on the screen. This is normal for an LCD screen. It is not an error, nor is it related to the monitor's performance.

PRODUCT SPECIFICATION

25UM65

25UM64

LCD Screen	Type	63.5 cm TFT (Thin Film Transistor) LCD (Liquid Crystal Display) Screen Diagonal length of the screen: 63.5 cm 25" class (25" / 63.5 cm diagonal)
	Pixel Pitch	0.2325 mm x 0.2325 mm
Resolution	Max Resolution	2560 x 1080 @ 60 Hz
	Recommended Resolution	2560 x 1080 @ 60 Hz
Video Signal	Horizontal Frequency	30 kHz to 90 kHz
	Vertical Frequency	56 Hz to 75 Hz
	Synchronization	Separate Sync.
Input Connector	DVI-D IN, DP (DisplayPort) IN, HDMI IN 1, HDMI IN 2, AUDIO IN(PC), H/P OUT	
Power Sources	Power Rating	19 V --- 1.6 A
	Power Consumption (Typical)	Operating Mode: 31 W (Typical) 36 W (Max, Audio Output 50%) Power Saving Mode ≤ 0.5 W Off Mode ≤ 0.5 W
AC/DC Adapter	LCAP21A type, manufactured by Lien Chang ADS-40SG-19-3 19032G type, manufactured by Honor ADS-40FSG-19 19032GPG-1 type, manufactured by Honor Output: 19 V --- 1.7 A	
Stand Angle	Forward/Backward: -5° to 20° (Head)	
Environmental Conditions	Operating Conditions	Temperature: 10°C to 35°C (50°F to 95°F) Humidity: 10% to 80%
	Storing Conditions	Temperature: -20°C to 60°C (-4°F to 140°F) Humidity: 5% to 90%
Audio Output	3 W + 3 W	
Dimensions	Monitor Size (Width x Height x Depth)	
	With Stand	609.0 mm x 383.0 mm x 188.4 mm (23.9 inch x 15.0 inch x 7.4 inch)
	Without Stand	609.0 mm x 281.4 mm x 55.9 mm (23.9 inch x 11.0 inch x 2.2 inch)
Weight (Without Packaging)	With Stand	4.1 kg (9.0 lb)
	Without Stand	3.78 kg (8.3 lb)

Specifications are subject to change without notice.

34UM65

LCD Screen	Type	86.6 cm TFT (Thin Film Transistor) LCD (Liquid Crystal Display) Screen Diagonal length of the screen: 86.6 cm 34" class (34.1" / 86.6 cm diagonal)
	Pixel Pitch	0.312 mm x 0.310 mm
Resolution	Max Resolution	2560 x 1080 @ 60 Hz
	Recommended Resolution	2560 x 1080 @ 60 Hz
Video Signal	Horizontal Frequency	30 kHz to 90 kHz
	Vertical Frequency	56 Hz to 75 Hz
	Synchronization	Separate Sync.
Input Connector	DVI-D IN, DP (DisplayPort) IN, HDMI IN 1, HDMI IN 2, AUDIO IN(PC), H/P OUT	
Power Sources	Power Consumption (Typical)	Operating Mode: 48 W (Typical) 57 W (Max, Audio Output 50%) Power Saving Mode ≤ 0.5 W Off Mode ≤ 0.5 W
AC/DC adapter	LCAP39 type, manufactured by Lien Chang DA-65G19 type, manufactured by APD Output: 19 V --- 3.42 A	
Stand Angle	Forward/Backward: -5° to 15° (Monitor)	
Environmental Conditions	Operating Conditions	Temperature: 10°C to 35°C (50°F to 95°F) Humidity: 10% to 80%
	Storing Conditions	Temperature: -20°C to 60°C (-4°F to 140°F) Humidity: 5% to 90%
Audio Output	7 W + 7 W	

Dimensions	Monitor Size (Width x Height x Depth)	
	With Stand	829.9 mm x 468.9 mm x 172.9 mm (32.6 inch x 18.4 inch x 6.8 inch)
	Without Stand	829.9 mm x 379.8 mm x 82.9 mm (32.6 inch x 14.9 inch x 3.2 inch)
Weight (Without Packaging)	With Stand	7.3 kg (16.0 lb)
	Without Stand	6.3 kg (13.8 lb)

Specifications are subject to change without notice.

Factory Support Mode (Preset Mode, DVI-D/HDMI/DisplayPort PC)

Preset Mode	Horizontal Frequency (kHz)	Vertical Frequency (Hz)	Polarity (H/V)	Remarks
720 x 400	31.468	70.08	-/+	
640 x 480	31.469	59.94	-/-	
640 x 480	37.5	75.0	-/-	
800 x 600	37.879	60.317	+/+	
800 x 600	46.875	75.0	+/+	
1024 x 768	48.363	60.0	-/-	
1024 x 768	60.123	75.029	+/+	
1152 x 864	67.5	75.0	+/+	
1280 x 720	45	60	+/+	
1280 x 1024	63.981	60.02	+/+	
1280 x 1024	79.976	75.025	+/+	
1600 x 900	60.0	60.0	+/+	
1680 x 1050	65.29	59.954	-/+	
1920 x 1080	67.5	60	+/-	
2560 x 1080	66.7	60	-/+	

* DVI: DTV Mode is not supported (interlace mode)

HDMI Timing (Video)

Preset Mode	Horizontal Frequency (kHz)	Vertical Frequency (Hz)	Remarks
480P	31.5	60	
576P	31.25	50	
720P	37.5	50	
720P	45	60	
1080P	56.25	50	
1080P	67.5	60	

Power LED

Mode	LED Color
On Mode	White
Power Saving Mode	Flashing White
Off Mode	Off

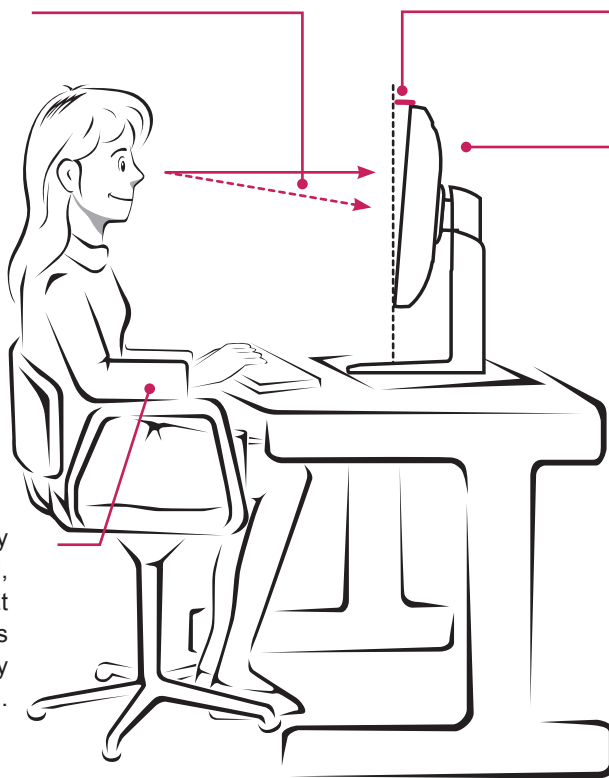
PROPER POSTURE

Proper Posture for Using the Monitor

Adjust the screen so that you can comfortably look at it at a slight downward angle from your natural eye level.

- Take a break for approximately 10 minutes every hour to reduce any fatigue caused by prolonged usage.
- The stand of the touch monitor allows the product to be used in the optimum position.
- Adjust the stand angle from -5° to 15° (34UM65) / -5° to 20° (25UM65 / 25UM64) to obtain the best view of the screen.

You should be looking slightly down at the screen.



Stand Angle
 -5° to 15° (34UM65) /
 -5° to 20° (25UM65 /
 25UM64)

Adjust the position of the screen to minimize reflections.

Place your hands gently on the keyboard, keeping your arms bent at the elbows and extended horizontally in front of you.



Declaration of Conformity

Trade Name: LG
Model: **
Responsible Party: LG Electronics Inc.
Address: 1000 Sylvan Ave.
Englewood Cliffs NJ 07632
U.S.A
TEL: 201-266-2534

(** 25UM64, 25UM65, 34UM65)

This device meets the EMC requirements for home appliances (Class B) and is intended for home usage. This device can be used in all regions. Read the owner's manual (CD) carefully and keep it at hand. Please note that the label attached to the product provides information for technical support.

Model _____

Serial No. _____

ENERGY STAR is a set of power-saving guidelines issued by the U.S.Environmental Protection Agency (EPA).



As an ENERGY STAR Partner LGE U. S. A., Inc. has determined that this product meets the ENERGY STAR guidelines for energy efficiency.

Refer to ENERGY STAR.gov for more information on the ENERGY STAR program.